



# SDS4D15 SERIES

## Low Profile Shielded Power Inductors



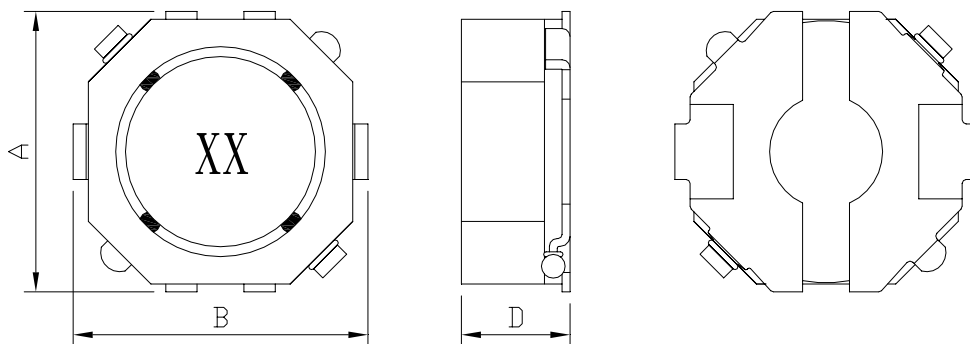
RoHS Compliant

### PART NUMBERING SYSTEM

<b>SDS</b>	<b>4D15</b>	—	<b>8 R 2 N</b>	—	<b>LF</b>
TYPE	DIMENSIONS		INDUCTANCE		LEAD FREE

### SHAPES AND DIMENSIONS

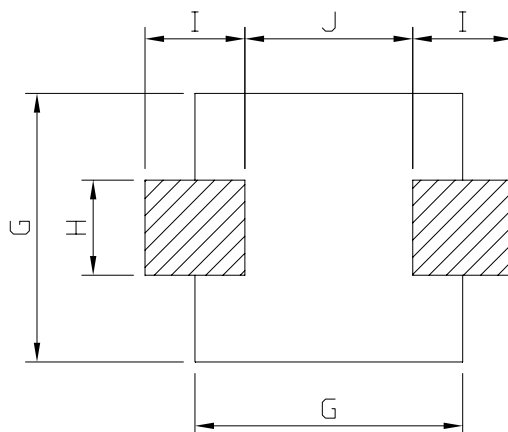
UNIT : mm



**A=4.9 Max. B=4.9 Max. D=1.5 Max.**

### RECOMMENDED PATTERNS

UNIT : mm



**G=5.0 H=1.6 I=1.4 J=2.8**



## SDS4D15 SERIES

### Low Profile Shielded Power Inductors



RoHS Compliant

#### ELECTRICAL CHARACTERISTICS :

PART NUMBER	INDUCTANCE ( $\mu$ H)	DCR (m $\Omega$ ) Max.(Typ.)	Isat (A) ( Max. )	Irms (A) ( Max. )	Stamp
SDS4D15-1R0N-LF	1.0 $\pm$ 30%	81(65)	3.00	1.75	1R0
SDS4D15-1R2N-LF	1.2 $\pm$ 30%	100(80)	2.50	1.70	1R2
SDS4D15-1R8N-LF	1.8 $\pm$ 30%	121(97)	2.20	1.65	1R8
SDS4D15-2R7N-LF	2.7 $\pm$ 30%	137(110)	2.00	1.60	2R7
SDS4D15-3R3N-LF	3.3 $\pm$ 30%	150(120)	1.80	1.55	3R3
SDS4D15-3R9N-LF	3.9 $\pm$ 30%	168(135)	1.60	1.45	3R9
SDS4D15-4R7N-LF	4.7 $\pm$ 30%	187(150)	1.50	1.35	4R7
SDS4D15-5R6N-LF	5.6 $\pm$ 30%	212(170)	1.40	1.25	5R6
SDS4D15-6R8N-LF	6.8 $\pm$ 30%	230(185)	1.30	1.15	6R8
SDS4D15-8R2N-LF	8.2 $\pm$ 30%	250(200)	1.20	1.05	8R2
SDS4D15-100M-LF	10 $\pm$ 20%	312(250)	1.00	0.95	100
SDS4D15-120M-LF	12 $\pm$ 20%	356(285)	0.85	0.85	120
SDS4D15-150M-LF	15 $\pm$ 20%	475(380)	0.80	0.80	150
SDS4D15-180M-LF	18 $\pm$ 20%	618(495)	0.75	0.70	180
SDS4D15-220M-LF	22 $\pm$ 20%	692(554)	0.65	0.65	220
SDS4D15-270M-LF	27 $\pm$ 20%	980(785)	0.60	0.55	270
SDS4D15-330M-LF	33 $\pm$ 20%	1068(855)	0.55	0.50	330
SDS4D15-390M-LF	39 $\pm$ 20%	1200(960)	0.50	0.45	390
SDS4D15-470M-LF	47 $\pm$ 20%	1710(1370)	0.45	0.42	470

- Inductance tested at 100 kHz, 0.1 Vrms, 0 Adc using an Agilent/HP 4263B LCR meter or equivalent.
- Isat : DC current at which the inductance drops 30% (typ) from its value without current.
- Iirms: The actual current when temperature of coil becomes  $\Delta$ 40 $^{\circ}$ C . ( Ta=+20 $^{\circ}$ C )
- Operating temperature range -40 $^{\circ}$ C to +85 $^{\circ}$ C , Electrical specifications at 20 $^{\circ}$ C.
- Packing : 13" reel, machine-ready ,embossed plastic tape ( 3,000 parts per full reel).