



# SDS4018HP SERIES ~ **New Products**



RoHS Compliant

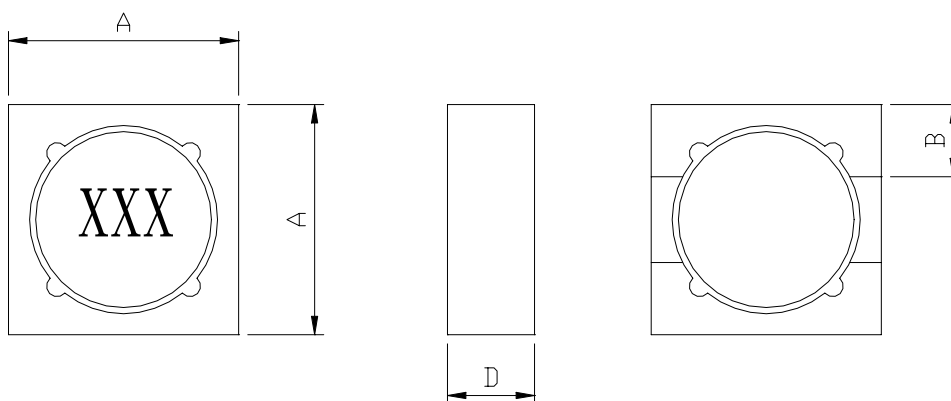
## Low Profile Shielded Power Inductors

### PART NUMBERING SYSTEM

<u><b>SDS</b></u>	<u><b>4 0 1 8 HP</b></u>	—	<u><b>6 R 8 M</b></u>	—	<u><b>LF</b></u>
TYPE	DIMENSIONS		INDUCTANCE		LEAD FREE

### SHAPES AND DIMENSIONS

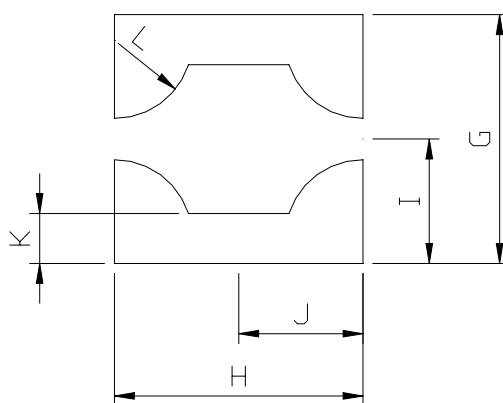
UNIT : mm



**A=4.1 Max. B=1.3 Typ. D=1.8 Max**

### RECOMMENDED PATTERNS

UNIT : mm



**G=4.30 H=4.30 I=2.15 J=2.15 K=0.7 L=1.25**



# SDS4018HP SERIES ~ *New Products*



RoHS Compliant

## Low Profile Shielded Power Inductors

### SPECIFICATION TABLE

PART NUMBER	INDUCTANCE ( $\mu$ H)	DCR ( $\Omega$ ) (Max.)	Isat ( A )	Irms ( A )	TEST FREQ. ( f )
SDS4018HP-R56N-LF	0.56 $\pm$ 30%	0.030	4.80	2.80	100KHz/0.1V
SDS4018HP-1R0N-LF	1.00 $\pm$ 30%	0.040	3.40	2.70	100KHz/0.1V
SDS4018HP-2R2M-LF	2.20 $\pm$ 20%	0.070	2.50	2.30	100KHz/0.1V
SDS4018HP-3R3M-LF	3.30 $\pm$ 20%	0.080	2.20	2.00	100KHz/0.1V
SDS4018HP-4R7M-LF	4.70 $\pm$ 20%	0.125	1.60	1.80	100KHz/0.1V
SDS4018HP-6R8M-LF	6.80 $\pm$ 20%	0.150	1.20	1.50	100KHz/0.1V
SDS4018HP-100M-LF	10 $\pm$ 20%	0.200	1.10	1.25	100KHz/0.1V
SDS4018HP-150M-LF	15 $\pm$ 20%	0.260	0.86	1.12	100KHz/0.1V
SDS4018HP-150M-LF	18 $\pm$ 20%	0.270	0.78	1.00	100KHz/0.1V
SDS4018HP-220M-LF	22 $\pm$ 20%	0.360	0.70	0.90	100KHz/0.1V
SDS4018HP-330M-LF	33 $\pm$ 20%	0.420	0.58	0.80	100KHz/0.1V
SDS4018HP-470M-LF	47 $\pm$ 20%	0.650	0.50	0.68	100KHz/0.1V
SDS4018HP-680M-LF	68 $\pm$ 20%	0.950	0.41	0.56	100KHz/0.1V
SDS4018HP-101M-LF	100 $\pm$ 20%	1.400	0.34	0.50	100KHz/0.1V
SDS4018HP-121M-LF	120 $\pm$ 20%	1.600	0.31	0.45	100KHz/0.1V
SDS4011HP-151M-LF	150 $\pm$ 20%	2.000	0.27	0.40	100KHz/0.1V
SDS4011HP-181M-LF	180 $\pm$ 20%	2.500	0.24	0.36	100KHz/0.1V
SDS4011HP-221M-LF	220 $\pm$ 20%	3.700	0.22	0.30	100KHz/0.1V
SDS4011HP-331M-LF	330 $\pm$ 20%	5.900	0.17	0.23	100KHz/0.1V
SDS4011HP-471M-LF	470 $\pm$ 20%	7.100	0.14	0.20	100KHz/0.1V
SDS4011HP-561M-LF	560 $\pm$ 20%	10.00	0.13	0.18	100KHz/0.1V
SDS4011HP-681M-LF	680 $\pm$ 20%	11.50	0.11	0.16	100KHz/0.1V
SDS4011HP-821M-LF	820 $\pm$ 20%	14.00	0.11	0.14	100KHz/0.1V
SDS4018HP-102M-LF	1000 $\pm$ 20%	16.50	0.10	0.125	100KHz/0.1V
SDS4018HP-152M-LF	1500 $\pm$ 20%	25.00	0.095	0.118	100KHz/0.1V
SDS4018HP-182M-LF	1800 $\pm$ 20%	31.50	0.090	0.110	100KHz/0.1V
SDS4018HP-222M-LF	2200 $\pm$ 20%	32.50	0.086	0.105	100KHz/0.1V
SDS4018HP-332M-LF	3300 $\pm$ 20%	48.00	0.080	0.100	100KHz/0.1V

※ Isat: DC current at which the inductance drops 30% (typ) from its value without current.

※ Storage and ambient operating temperature range -40°C to +85°C. Electrical specifications at 25°C .



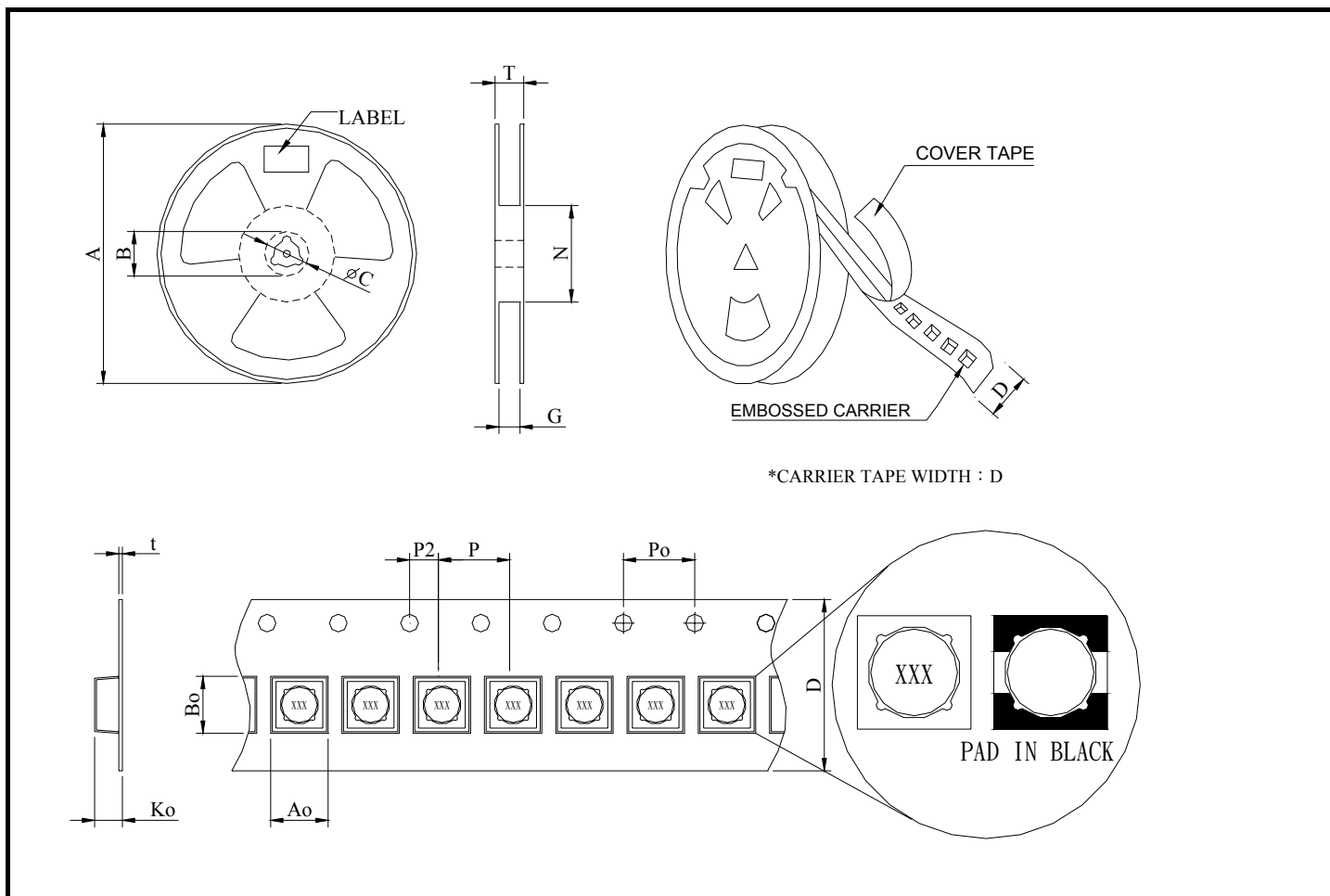
# SDS4018HP SERIES ~ *New Products*



RoHS Compliant

## Low Profile Shielded Power Inductors

### PACKAGING SPECIFICATION



STAYLE	DIMENSIONS (m/m)														
	Q'TY (PCS)	A	B	C	D	G	N	T	Ao	Bo	Ko	t	P	Po	P2
13"	2,000	330	—	—	12 ±0.3	—	—	—	5.45	5.45	2.2	0.35	8	4	2 ±0.02