



SDS4012 SERIES ~ **New Products**



RoHS Compliant

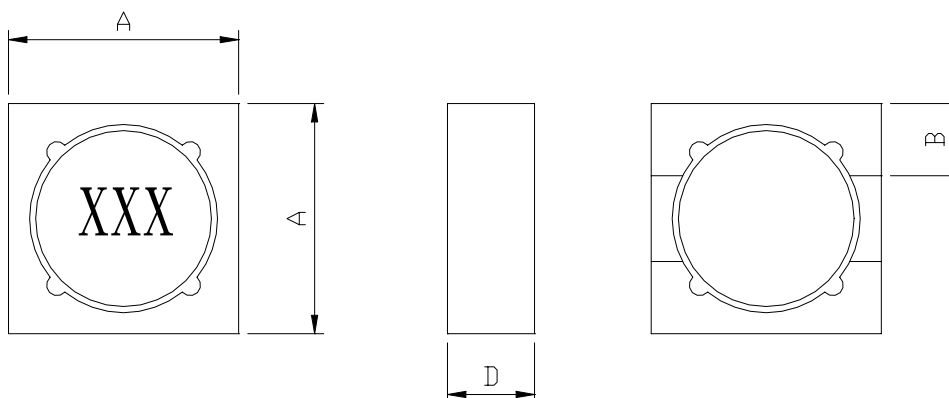
Low Profile Shielded Power Inductors

PART NUMBERING SYSTEM

SDS	4 0 1 2	—	6 8 0 M	—	LF
TYPE	DIMENSIONS		INDUCTANCE		LEAD FREE

SHAPES AND DIMENSIONS

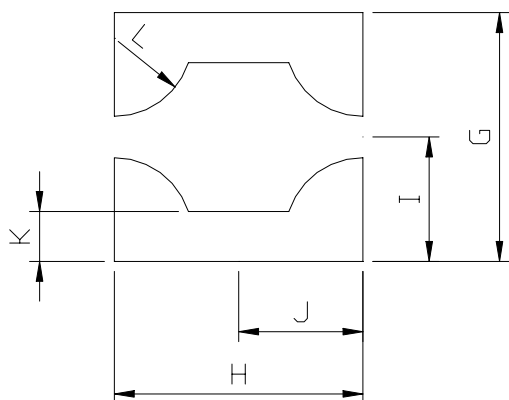
UNIT : mm



A=4.0 Max. B=1.3 Typ. D=1.2 Max.

RECOMMENDED PATTERNS

UNIT : mm



G=4.40 H=4.40
I=2.20 J=2.20
K=0.7 L=1.40

FEATURES

- **Compact, Low profile shielded power inductor** – only **1,2 mm** high, **4 mm** square
- Available in **30 inductance values** from **0.33 μH to 33 mH**
- Handles **current up to 5.0 Amps!**
- **RoHS-compliant.** 260°C compatible.



SDS4012 SERIES ~ *New Products*



RoHS Compliant

Low Profile Shielded Power Inductors

SPECIFICATION TABLE

PART NUMBER	INDUCTANCE (μ H)	DCR (Ω) (Max.)	Isat (A)	Irms (A) @ 40°C Rise	TEST FREQ. (f)
SDS4012-R33N-LF	0.33 \pm 30%	0.023	5.00	3.70	100KHz/0.1V
SDS4012-R68N-LF	0.68 \pm 30%	0.055	3.50	2.40	100KHz/0.1V
SDS4012-1R0M-LF	1.00 \pm 20%	0.060	2.50	2.40	100KHz/0.1V
SDS4012-1R5M-LF	1.50 \pm 20%	0.070	2.50	2.20	100KHz/0.1V
SDS4012-2R2M-LF	2.20 \pm 20%	0.100	2.10	1.75	100KHz/0.1V
SDS4012-3R3M-LF	3.30 \pm 20%	0.100	1.50	2.00	100KHz/0.1V
SDS4012-4R7M-LF	4.70 \pm 20%	0.175	1.40	1.45	100KHz/0.1V
SDS4012-6R8M-LF	6.80 \pm 20%	0.260	1.30	1.10	100KHz/0.1V
SDS4012-100M-LF	10 \pm 20%	0.340	1.20	0.98	100KHz/0.1V
SDS4012-150M-LF	15 \pm 20%	0.350	0.70	0.75	100KHz/0.1V
SDS4012-180M-LF	18 \pm 20%	0.550	0.60	0.73	100KHz/0.1V
SDS4012-220M-LF	22 \pm 20%	0.600	0.50	0.70	100KHz/0.1V
SDS4012-330M-LF	33 \pm 20%	0.825	0.37	0.61	100KHz/0.1V
SDS4012-470M-LF	47 \pm 20%	1.400	0.36	0.52	100KHz/0.1V
SDS4012-680M-LF	68 \pm 20%	1.700	0.30	0.46	100KHz/0.1V
SDS4012-101M-LF	100 \pm 20%	2.400	0.22	0.40	100KHz/0.1V
SDS4012-121M-LF	120 \pm 20%	3.300	0.20	0.36	100KHz/0.1V
SDS4012-151M-LF	150 \pm 20%	3.500	0.17	0.32	100KHz/0.1V
SDS4012-181M-LF	180 \pm 20%	5.000	0.17	0.29	100KHz/0.1V
SDS4012-221M-LF	220 \pm 20%	5.200	0.16	0.27	100KHz/0.1V
SDS4012-331M-LF	330 \pm 20%	7.200	0.14	0.223	100KHz/0.1V
SDS4012-471M-LF	470 \pm 20%	10.00	0.11	0.175	100KHz/0.1V
SDS4012-561M-LF	560 \pm 20%	12.50	0.10	0.140	100KHz/0.1V
SDS4012-681M-LF	680 \pm 20%	13.50	0.095	0.135	100KHz/0.1V
SDS4012-821M-LF	820 \pm 20%	20.00	0.090	0.132	100KHz/0.1V
SDS4012-102M-LF	1000 \pm 20%	21.50	0.090	0.130	100KHz/0.1V
SDS4012-152M-LF	1500 \pm 20%	35.00	0.075	0.115	100KHz/0.1V
SDS4012-182M-LF	1800 \pm 20%	36.00	0.072	0.100	100KHz/0.1V
SDS4012-222M-LF	2200 \pm 20%	40.00	0.067	0.090	100KHz/0.1V
SDS4012-332M-LF	3300 \pm 20%	76.00	0.025	0.085	100KHz/0.1V



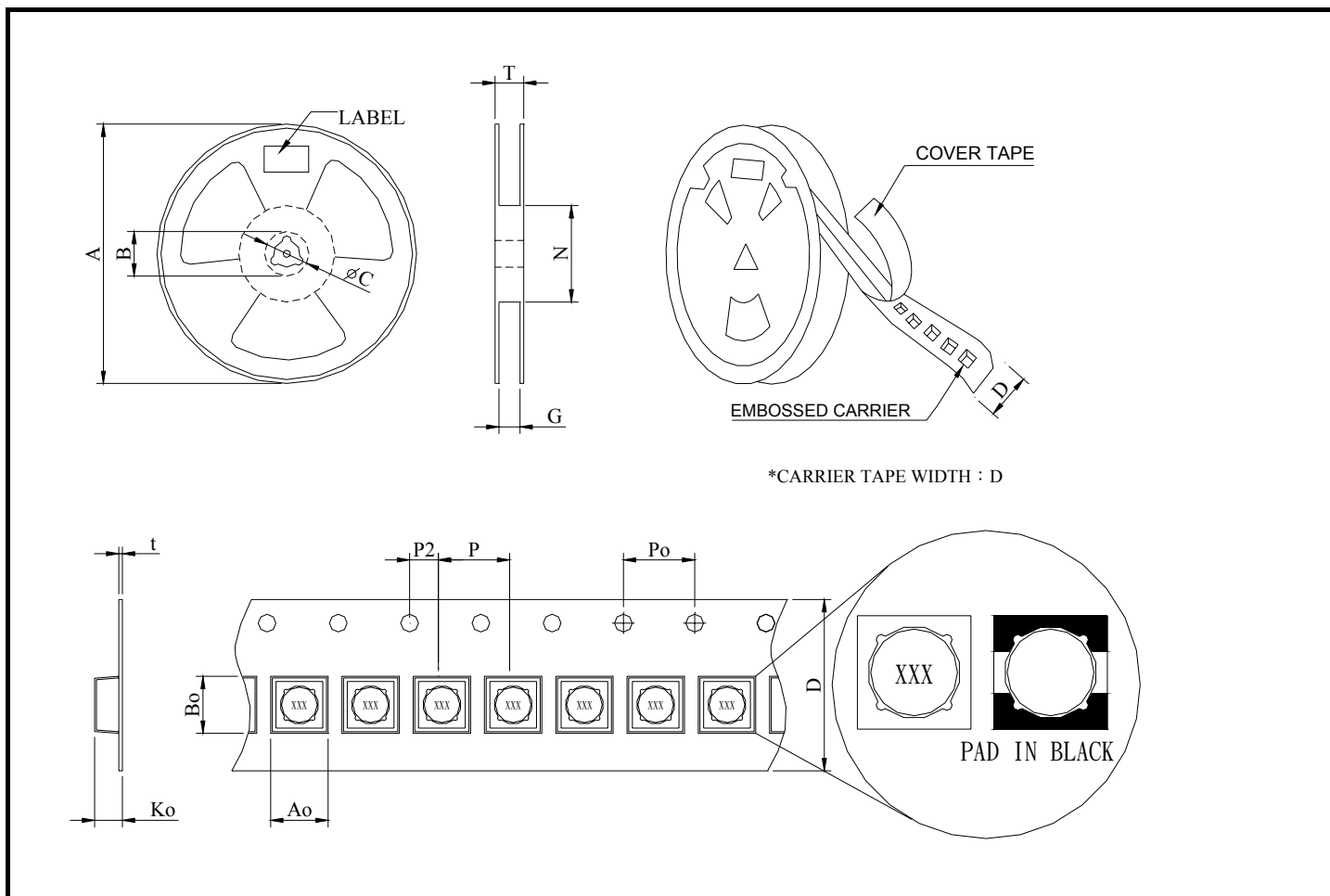
SDS4012 SERIES ~ **New Products**



RoHS Compliant

Low Profile Shielded Power Inductors

PACKAGING SPECIFICATION



STAYLE	DIMENSIONS (m/m)														
	Q'TY (PCS)	A	B	C	D	G	N	T	Ao	Bo	Ko	t	P	Po	P2
13"	3,500	330	—	—	12 ±0.3	—	—	—	5.45	5.45	1.32	0.25	8	4	2 ±0.02