



SDS3015 SERIES ~ **New Products**



RoHS Compliant

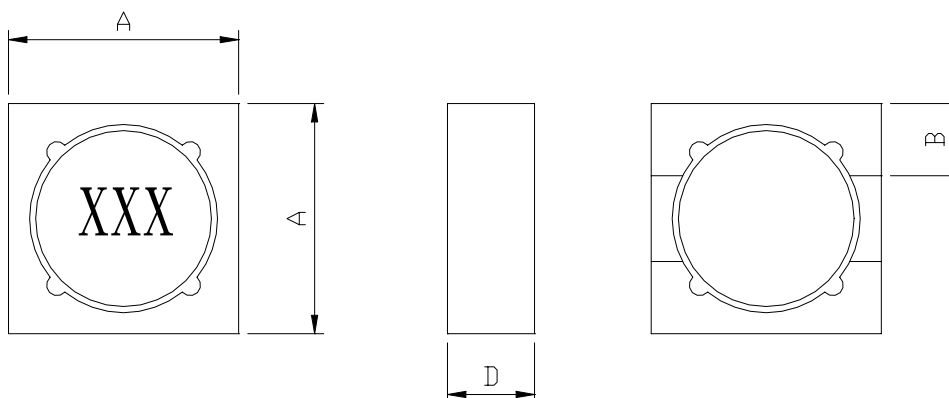
Low Profile Shielded Power Inductors

PART NUMBERING SYSTEM

SDS	3 0 1 5	—	6 8 0 M	—	LF
TYPE	DIMENSIONS		INDUCTANCE		LEAD FREE

SHAPES AND DIMENSIONS

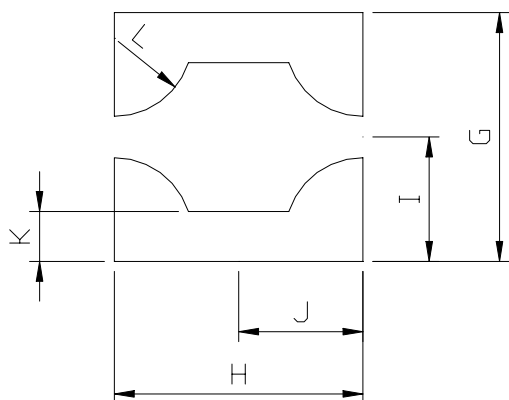
UNIT : mm



A=3.0 Max. B=0.89 Typ. D=1.5 Max

RECOMMENDED PATTERNS

UNIT : mm



G=3.30 H=3.30
I=1.65 J=1.65
K=0.63 L=1.14

FEATURES

- **Compact, Low profile shielded power inductor** – only **1,5 mm** high, **3 mm** square
- Ideal for **high-density applications**
- Handles **current up to 2.1 Amps!**
- **RoHS-compliant.** 260°C compatible.



SDS3015 SERIES ~ *New Products*



RoHS Compliant

Low Profile Shielded Power Inductors

SPECIFICATION TABLE

PART NUMBER	INDUCTANCE (μ H)	DCR (Ω) (Max.)	Isat (A)	Irms (A) @ 40°C Rise	TEST FREQ. (f)
SDS3015-1R0M-LF	1.0 \pm 20%	0.075	2.00	2.00	100KHz/0.1V
SDS3015-1R5M-LF	1.5 \pm 20%	0.100	1.80	1.70	100KHz/0.1V
SDS3015-1R8M-LF	1.8 \pm 20%	0.100	1.50	1.40	100KHz/0.1V
SDS3015-2R2M-LF	2.2 \pm 20%	0.110	1.50	1.40	100KHz/0.1V
SDS3015-3R3M-LF	3.3 \pm 20%	0.130	1.30	1.40	100KHz/0.1V
SDS3015-4R7M-LF	4.7 \pm 20%	0.200	1.10	1.20	100KHz/0.1V
SDS3015-6R8M-LF	6.8 \pm 20%	0.300	0.91	0.90	100KHz/0.1V
SDS3015-100M-LF	10 \pm 20%	0.440	0.65	0.75	100KHz/0.1V
SDS3015-150M-LF	15 \pm 20%	0.700	0.55	0.59	100KHz/0.1V
SDS3015-180M-LF	18 \pm 20%	0.750	0.53	0.58	100KHz/0.1V
SDS3015-220M-LF	22 \pm 20%	0.825	0.49	0.57	100KHz/0.1V
SDS3015-330M-LF	33 \pm 20%	1.30	0.42	0.48	100KHz/0.1V
SDS3015-470M-LF	47 \pm 20%	1.55	0.32	0.40	100KHz/0.1V
SDS3015-680M-LF	68 \pm 20%	2.25	0.28	0.33	100KHz/0.1V
SDS3015-101M-LF	100 \pm 20%	3.40	0.23	0.26	100KHz/0.1V
SDS3015-121M-LF	120 \pm 20%	4.60	0.20	0.23	100KHz/0.1V
SDS3015-151M-LF	150 \pm 20%	6.10	0.18	0.20	100KHz/0.1V
SDS3015-181M-LF	180 \pm 20%	8.60	0.16	0.175	100KHz/0.1V
SDS3015-221M-LF	220 \pm 20%	9.50	0.15	0.155	100KHz/0.1V
SDS3015-331M-LF	330 \pm 20%	22.0	0.10	0.125	100KHz/0.1V

- Inductance tested at 100 kHz, 0.1 Vrms, 0 Adc using an Agilent/HP 4263B LCR meter or equivalent.
- Isat : DC current at which the inductance drops 30% (typ) from its value without current.
- Irms: Current that causes the specified temperature rise from 25°C ambient.
- Electrical specifications at 25°C.



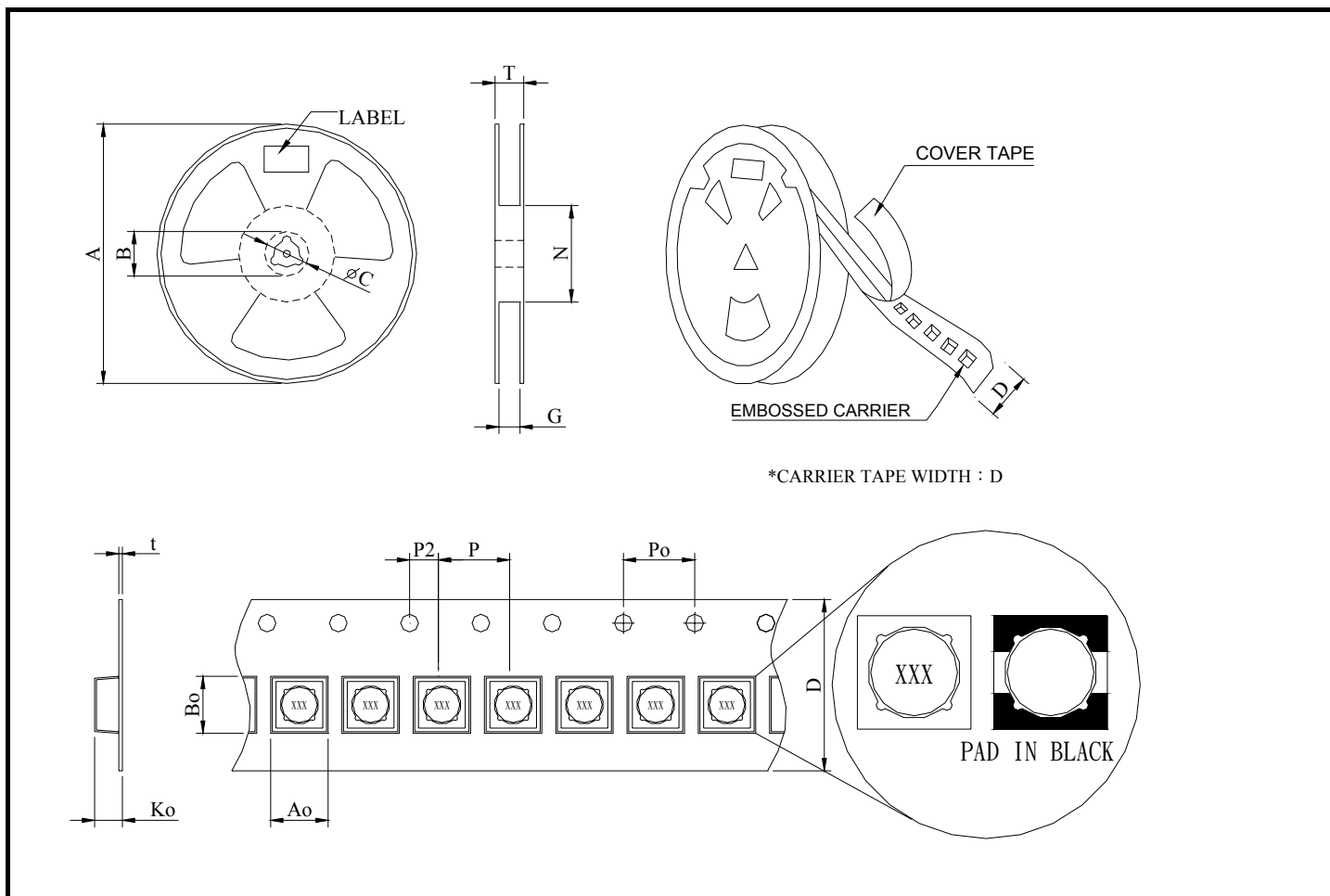
SDS3015 SERIES ~ *New Products*



RoHS Compliant

Low Profile Shielded Power Inductors

PACKAGING SPECIFICATION



*CARRIER TAPE WIDTH : D

STAYLE	DIMENSIONS (m/m)														
	Q'TY (PCS)	A	B	C	D	G	N	T	Ao	Bo	Ko	t	P	Po	P2
7"	1,000	178	—	—	12 ±0.3	—	—	—	3.2 ±0.1	3.2 ±0.1	1.6 ±0.1	0.3 ±0.05	8	4	2