



SDS2D18 SERIES

Low Profile Shielded Power Inductors



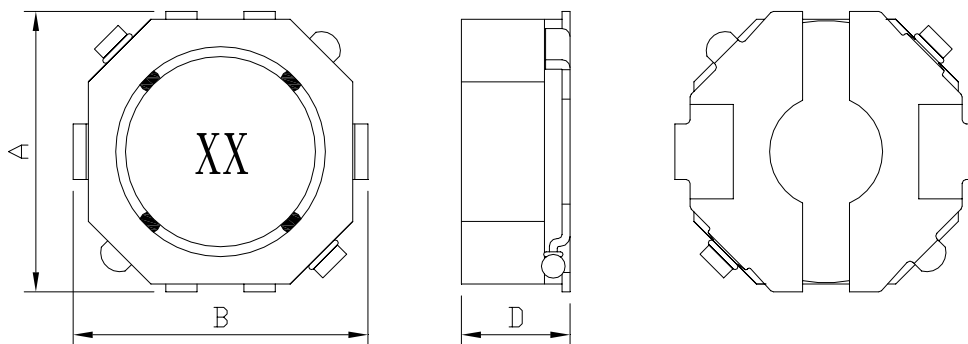
RoHS Compliant

PART NUMBERING SYSTEM

SDS	2D18	—	100M	—	LF
TYPE	DIMENSIONS		INDUCTANCE		LEAD FREE

SHAPES AND DIMENSIONS

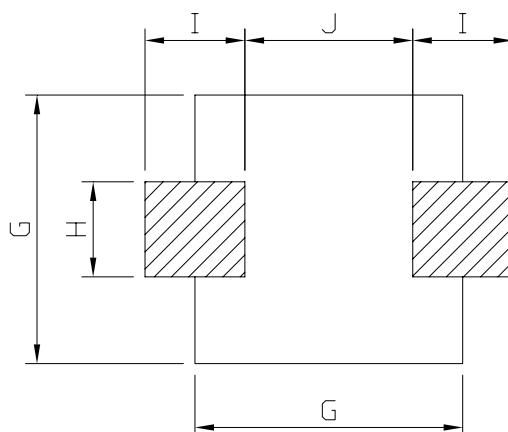
UNIT : mm



A=3.2 Max. B=3.2 Max. D=1.8 Max.

RECOMMENDED PATTERNS

UNIT : mm



G=3.2 H=1.2 I=1.1 J=1.8



SDS2D18 SERIES

Low Profile Shielded Power Inductors



RoHS Compliant

ELECTRICAL CHARACTERISTICS :

PART NUMBER	INDUCTANCE (μ H)	DCR (m Ω) Max.(Typ.)	Isat (A) (Max.)	Irms (A) (Max.)	Stamp
SDS2D18-2R2N-LF	2.2 \pm 30%	117(90)	1.10	1.10	2R
SDS2D18-3R3N-LF	3.3 \pm 30%	143(110)	1.00	1.00	3R
SDS2D18-4R7N-LF	4.7 \pm 30%	221(170)	0.80	0.90	4R
SDS2D18-5R6N-LF	5.6 \pm 30%	247(190)	0.75	0.85	5R
SDS2D18-6R8N-LF	6.8 \pm 30%	312(240)	0.70	0.82	6R
SDS2D18-8R2N-LF	8.2 \pm 30%	351(270)	0.60	0.78	8R
SDS2D18-100M-LF	10 \pm 20%	468(360)	0.55	0.75	10
SDS2D18-120M-LF	12 \pm 20%	533(410)	0.50	0.65	12
SDS2D18-150M-LF	15 \pm 20%	598(460)	0.45	0.55	15
SDS2D18-180M-LF	18 \pm 20%	715(550)	0.40	0.50	18
SDS2D18-220M-LF	22 \pm 20%	975(750)	0.38	0.45	22
SDS2D18-270M-LF	27 \pm 20%	1105(850)	0.33	0.40	27
SDS2D18-330M-LF	33 \pm 20%	1222(940)	0.30	0.33	33
SDS2D18-390M-LF	39 \pm 20%	1625(1250)	0.25	0.28	39
SDS2D18-470M-LF	47 \pm 20%	1820(1400)	0.23	0.25	47

- Inductance tested at 100 kHz, 0.1 Vrms, 0 Adc using an Agilent/HP 4263B LCR meter or equivalent.
- Isat : DC current at which the inductance drops 30% (typ) from its value without current.
- Irms: The actual current when temperature of coil becomes Δ 40 $^{\circ}$ C . (Ta=+20 $^{\circ}$ C)
- Operating temperature range -40 $^{\circ}$ C to +85 $^{\circ}$ C , Electrical specifications at 20 $^{\circ}$ C.
- Packing : 13" reel, machine-ready ,embossed plastic tape (3,000 parts per full reel).