



# SDS127M SERIES ~

## High Current Shielded Power Inductors



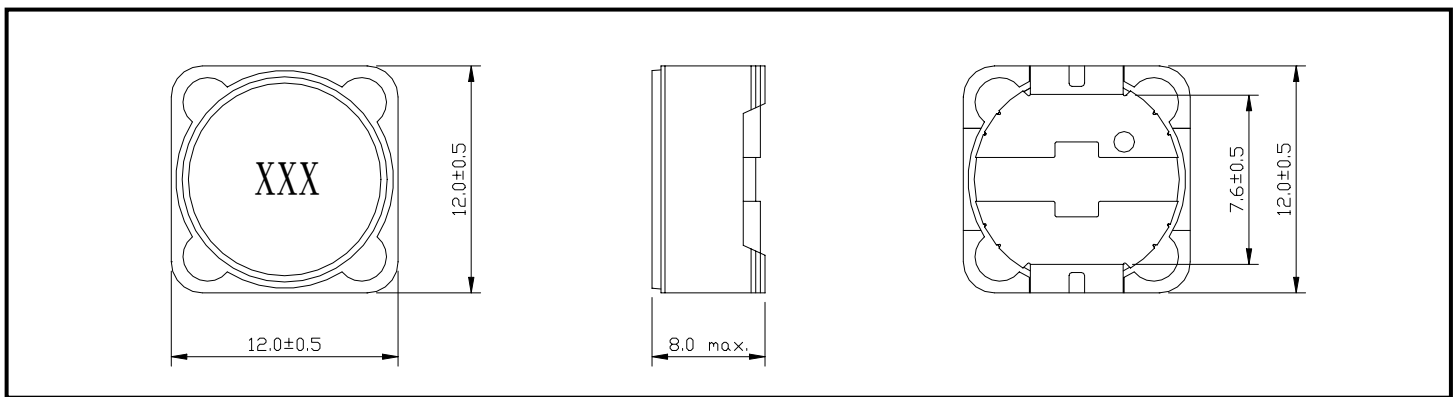
RoHS Compliant

### PART NUMBERING SYSTEM

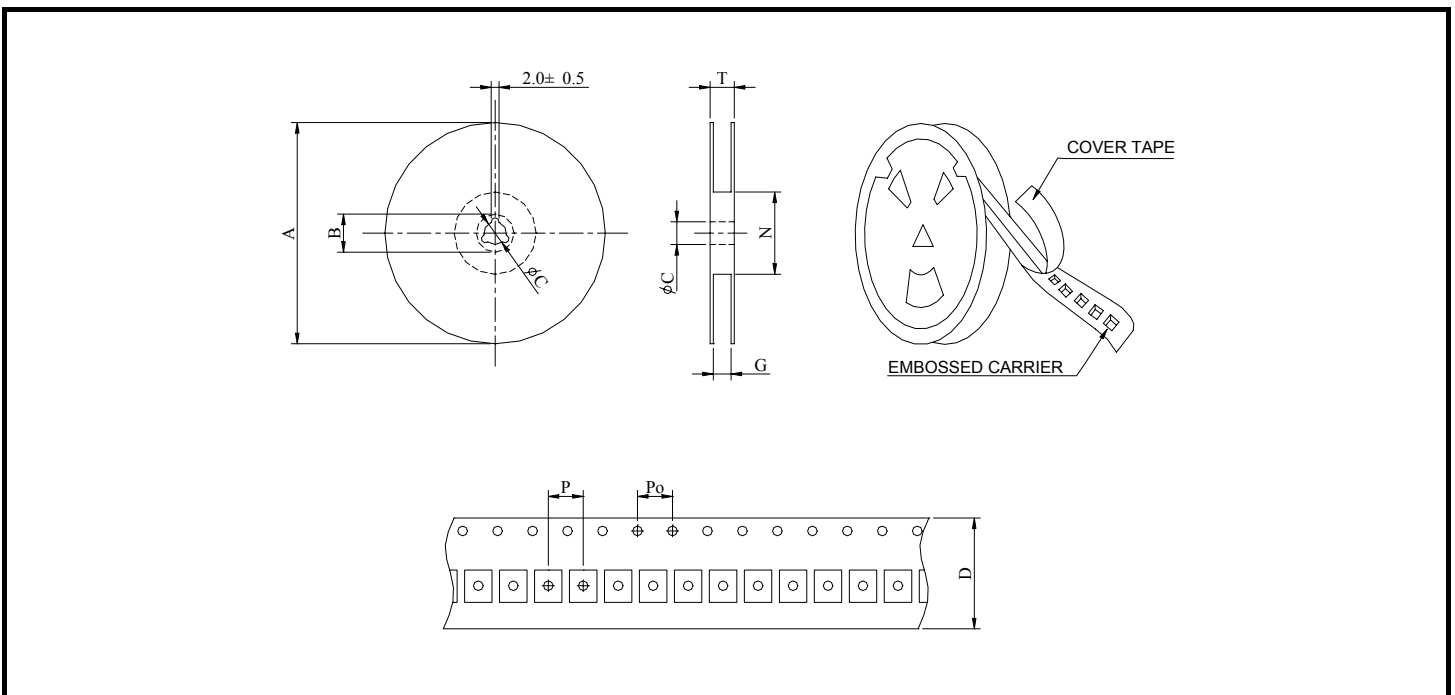
<b>SDS</b>	<b>1 2 7 M</b>	—	<b>1 0 0 M</b>	—	<b>LF</b>
TYPE	DIMENSIONS		INDUCTANCE		LEAD FREE

### SHAPES AND DIMENSIONS

UNIT : mm



### PACKAGING SPECIFICATION



SERIES	STAYLE	Q' TY (PCS)	DIMENSIONS (m/m)								
			A	B±0.8	C±0.5	D	G <sup>+0</sup>	N <sup>0</sup>	P	Po	T
SDS127M	13-24	400	330	21	13	24	26	50	20	4	30.4



## SDS127M SERIES ~

### High Current Shielded Power Inductors



RoHS Compliant

#### FEATURES

- **Magnetically shielded**
- Saturation current rating **over 56 Amps** and **very low DCR**
- Inductance ratings from **0.47 to 47 μH**
- **RoHS-compliant.** 260°C compatible. Matte tin over nickel over phos bronze terminations

#### SPECIFICATION TABLE

PART NUMBER	INDUCTANCE (μH)	DCR (mΩ) (Max.)	Isat (A) (Max.)	Irms (A) (Max.)	TEST FREQ. ( f )
SDS127M-R47N-LF	0.47±30%	2.44	56.0	17.9	100KHz
SDS127M-1R0N-LF	1.0±30%	3.00	40.0	15.5	100KHz
SDS127M-1R5N-LF	1.5±30%	3.50	15.0	12.8	100KHz
SDS127M-2R2N-LF	2.2±30%	5.00	12.6	11.9	100KHz
SDS127M-3R3M-LF	3.2±20%	6.70	10.6	10.9	100KHz
SDS127M-4R7M-LF	4.7±20%	9.60	8.7	8.5	100KHz
SDS127M-6R8M-LF	6.8±20%	11.0	7.9	8.0	100KHz
SDS127M-8R2M-LF	8.2±20%	12.1	6.4	7.7	100KHz
SDS127M-100M-LF	10±20%	12.7	5.8	7.4	1KHz
SDS127M-120M-LF	12±20%	14.0	5.3	6.8	1KHz
SDS127M-150M-LF	15±20%	15.8	4.6	6.4	1KHz
SDS127M-180M-LF	18±20%	24.0	4.4	5.1	1KHz
SDS127M-220M-LF	22±20%	28.3	3.9	4.5	1KHz
SDS127M-270M-LF	27±20%	32.7	3.5	4.3	1KHz
SDS127M-330M-LF	33±20%	44.0	3.1	3.7	1KHz
SDS127M-390M-LF	39±20%	49.0	2.9	3.4	1KHz
SDS127M-470M-LF	47±20%	55.6	2.8	3.1	1KHz

- Isat: DC current at which the inductance drops 10% (typ) from its value without current.
- Irms: Current that causes a 40°C rise from 20°C ambient.
- Operating temperature range -40°C to +85°C.
- Electrical specifications at 20°C .
- **PLATING / SOLDER : TIN-SILVER-COPPER (95.5%/4.0%/0.5%)**