



SDS0715 SERIES ~ **New Products**



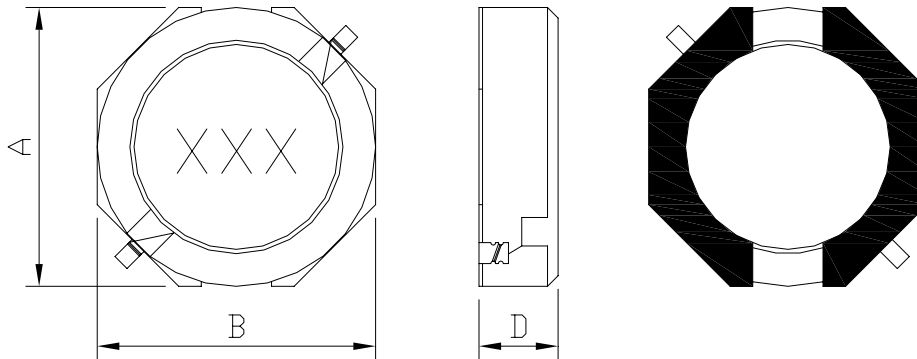
Low Profile Shielded Power Inductors

PART NUMBERING SYSTEM

<u>SDS</u>	<u>0715</u>	—	<u>100M</u>	—	<u>LF</u>
TYPE	DIMENSIONS		INDUCTANCE		LEAD FREE

SHAPES AND DIMENSIONS

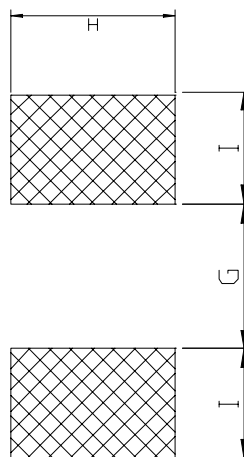
UNIT : mm



A=7.3 Max. B=7.3 Max. D=1.50 Max.

RECOMMENDED PATTERNS

UNIT : mm



G=2.0 H=7.3 I=2.65

FEATURES

- Compact, Low profile shielded power inductor – only 1,5 mm high, 7.3 mm square
- Ideal for high-density applications
- DC/DC converter for TFT monitor and television and Note book PC and portable equipment .
- Flat bottom surface ensure secure , reliable mounting .
- Handles current up to 2.4 Amps!
- RoHS-compliant. 260°C compatible.



Coilmaster Electronics Co., Ltd.

9F-3 No.398, Huan Bei Rd. Chung Li City, Taoyuan 320, Taiwan
Tel : +886-3-422-8279 Fax : +886-3-422-8734

E-mail : info@coilmaster.com.tw
Web Site : www.coilmaster.com.tw

SDS0715 SERIES ~ **New Products**



RoHS Compliant

Low Profile Shielded Power Inductors

SPECIFICATION TABLE

PART NUMBER	INDUCTANCE (μ H)	DCR ($m\Omega$) (Max.)	Isat (A)	TEST FREQ. (f)
SDS0715-2R7M-LF	2.7 \pm 20%	45.0	2.40	100KHz/1V
SDS0715-3R3M-LF	3.3 \pm 20%	50.0	2.10	100KHz/1V
SDS0715-4R7M-LF	4.7 \pm 20%	65.0	1.70	100KHz/1V
SDS0715-6R8M-LF	6.8 \pm 20%	85.0	1.50	100KHz/1V
SDS0715-100M-LF	10 \pm 20%	140.0	1.25	100KHz/1V
SDS0715-220M-LF	22 \pm 20%	170.0	1.05	100KHz/1V
SDS0715-330M-LF	33 \pm 20%	280.0	0.85	100KHz/1V
SDS0715-470M-LF	47 \pm 20%	580.0	0.55	100KHz/1V

- Inductance tested at 100kHz, 1 Vrms, 0 Adc using an Agilent/HP 4284A LCR meter or equivalent.
- Isat : DC current at which the inductance drops 30% (typ) from its value without current.
- Irms: Current that causes the specified temperature rise from 25°C ambient.
- Electrical specifications at 25°C.