



SPO1704 SERIES ~

Low Profile Power Inductors



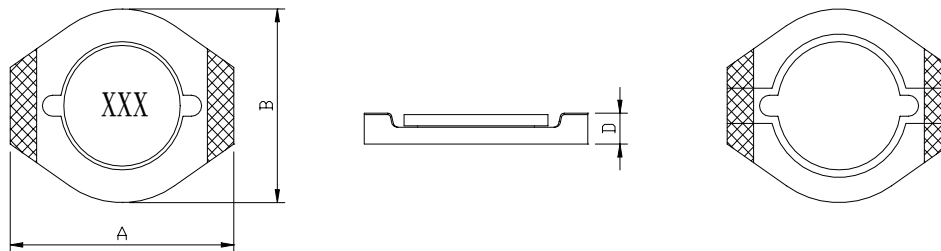
RoHS Compliant

PART NUMBERING SYSTEM

SPO	1704	—	1R2M	—	LF
TYPE	DIMENSIONS		INDUCTANCE		LEAD FREE

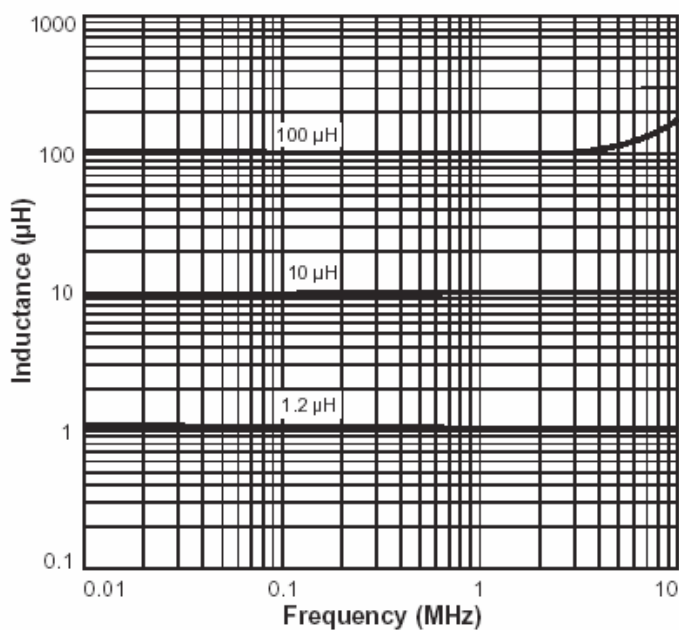
SHAPES AND DIMENSIONS

UNIT : mm

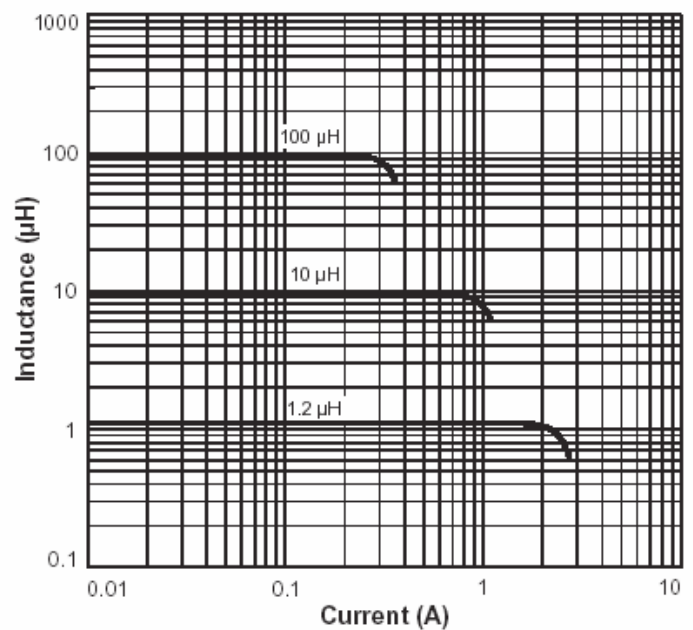


A= 6.8 Max. B= 5.6 Max. D= 1.0±0.1

Typical L vs Frequency



Typical L vs Current





SPO1704 SERIES ~

Low Profile Power Inductors



RoHS Compliant

SPECIFICATION TABLE

PART NUMBER	INDUCTANCE (μ H)	DCR (Ω) (Max.)	Isat (A) (Max.)	Irms (A) (Max.)	SRF(MHz) (Ref.)
SPO1704-1R2M-LF	1.2 \pm 20%	0.08	2.10	3.60	190
SPO1704-1R5M-LF	1.5 \pm 20%	0.10	1.90	2.80	140
SPO1704-2R2M-LF	2.2 \pm 20%	0.12	1.60	2.40	115
SPO1704-3R3M-LF	3.3 \pm 20%	0.16	1.30	2.00	90
SPO1704-4R7M-LF	4.7 \pm 20%	0.20	1.10	1.70	88
SPO1704-6R8M-LF	6.8 \pm 20%	0.32	0.90	1.20	66
SPO1704-100M-LF	10 \pm 20%	0.41	0.80	1.10	55
SPO1704-150M-LF	15 \pm 20%	0.55	0.65	0.90	42
SPO1704-220M-LF	22 \pm 20%	0.85	0.50	0.83	38
SPO1704-330M-LF	33 \pm 20%	1.3	0.40	0.62	29
SPO1704-470M-LF	47 \pm 20%	1.8	0.35	0.52	22
SPO1704-680M-LF	68 \pm 20%	2.5	0.30	0.35	18
SPO1704-101M-LF	100 \pm 20%	3.5	0.25	0.27	14
SPO1704-151M-LF	150 \pm 20%	5.0	0.18	0.24	12
SPO1704-221M-LF	220 \pm 20%	7.0	0.16	0.23	10
SPO1704-331M-LF	330 \pm 20%	15.0	0.13	0.13	8

- DC current at which the inductance drops 10% (typ) from its value without current.
- Operating temperature range -40°C to +85°C .
- Electrical specifications at 25°C .

FEATURES

- Only **1.1 mm** high, yet handles **up to 2.3 Amps**
- Inductance value from **1.2uH to 330uH**
- Ceramic cover provides **best possible surface for pick and place** operations.
- **RoHS-compliant.** 260°C compatible.



SP01704 SERIES ~

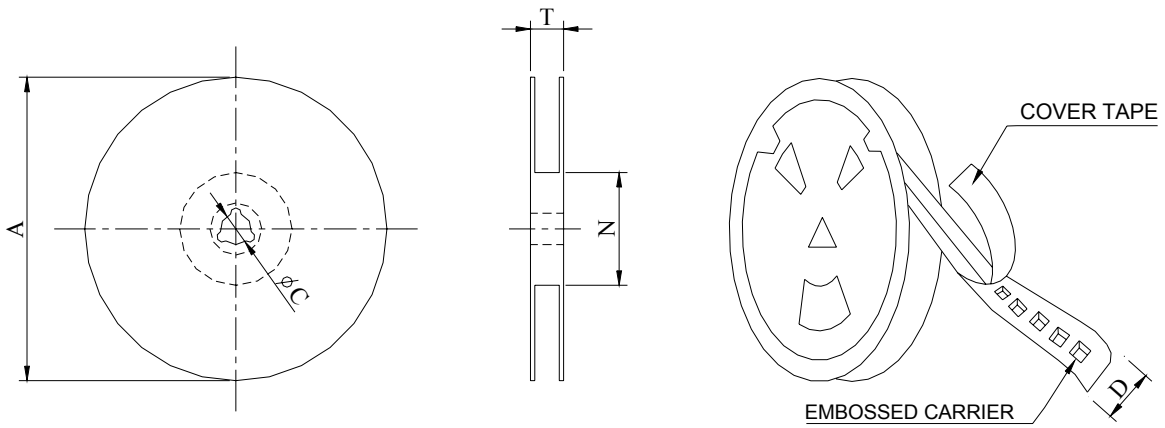
Low Profile Power Inductors



RoHS Compliant

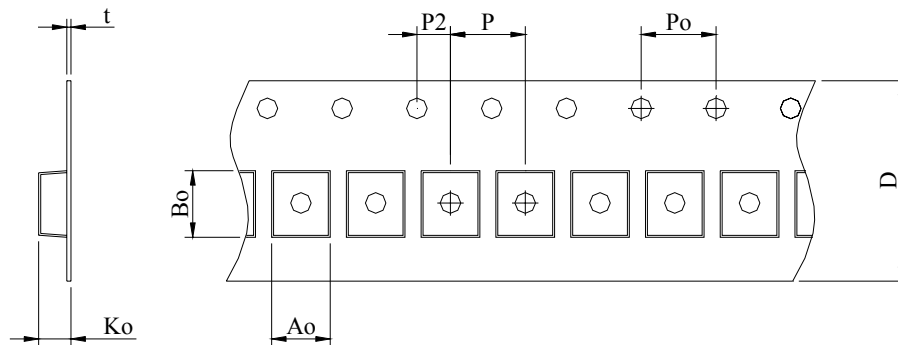
PACKAGING SPECIFICATION

Reel Dimensions



*CARRIER TAPE WIDTH : D

Tape Dimensions



Piece / Reel		Reel Dimensions				Tape Dimensions							
		A	N	C	T	A ₀	B ₀	K ₀	P	P ₀	P ₂	D	t
178	330	A	N	C	T	A ₀	B ₀	K ₀	P	P ₀	P ₂	D	t
2000	6000	178/330	62/100	13	12.3	5.60	6.50	1.20	8	4	8	12	0.3