



SDR73 SERIES – SMD POWER INDUCTORS



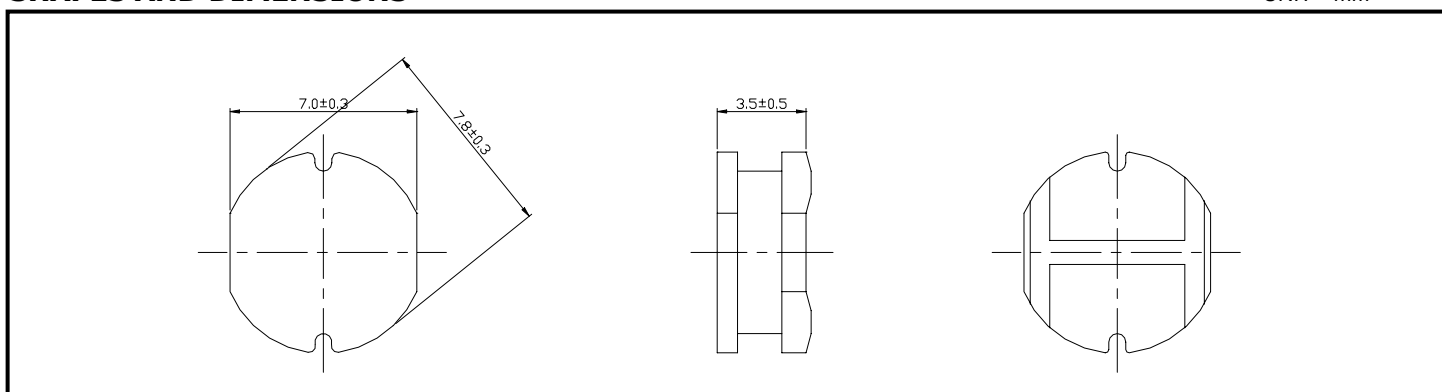
RoHS Compliant

PART NUMBERING SYSTEM

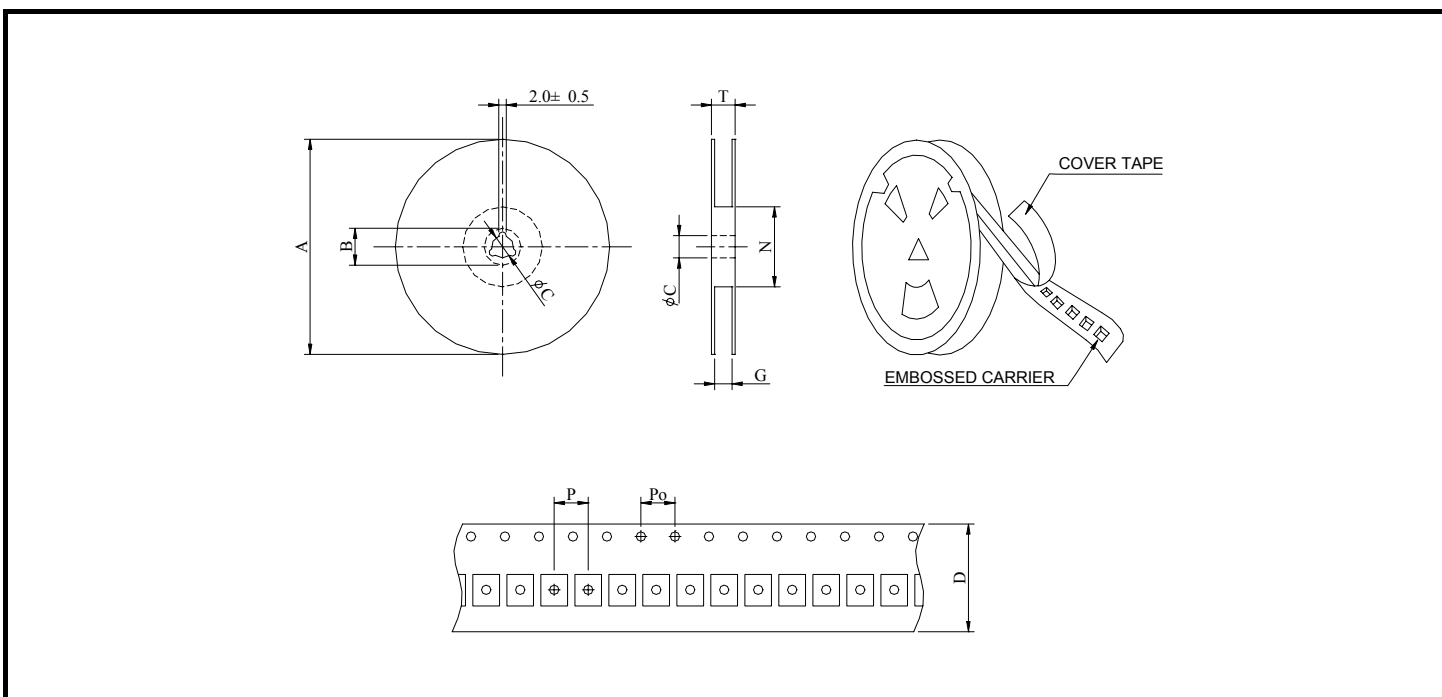
SDR	7 3	—	101K	—	LF
TYPE	DIMENSIONS		INDUCTANCE		LEAD FREE

SHAPES AND DIMENSIONS

UNIT : mm



PACKAGING SPECIFICATION



SERIES	STAYLE	Q' TY (PCS)	DIMENSIONS (m/m)								
			A	B±0.8	C±0.5	D	G ⁺⁰	N ⁰	P	Po	T
SDR73	13-16	1000	330	21	13	16	18	50	12	4	22.4



SDR73 SERIES – SMD POWER INDUCTORS



RoHS Compliant

SPECIFICATION TABLE

PART NUMBER	INDUCTANCE (μ H)	DCR (Ω) (Max.)	IDC (A) (Max.)	TEST FREQ. (MHz)
SDR73-100M-LF	10 \pm 20%	0.08	1.44	2.52
SDR73-120M-LF	12 \pm 20%	0.09	1.39	2.52
SDR73-150M-LF	15 \pm 20%	0.10	1.24	2.52
SDR73-180M-LF	18 \pm 20%	0.11	1.12	2.52
SDR73-220M-LF	22 \pm 20%	0.13	1.07	2.52
SDR73-270M-LF	27 \pm 20%	0.15	0.94	2.52
SDR73-330L-LF	33 \pm 15%	0.17	0.85	2.52
SDR73-390L-LF	39 \pm 15%	0.22	0.74	2.52
SDR73-470L-LF	47 \pm 15%	0.25	0.68	2.52
SDR73-560K-LF	56 \pm 10%	0.28	0.64	2.52
SDR73-680K-LF	68 \pm 10%	0.33	0.59	2.52
SDR73-820K-LF	82 \pm 10%	0.41	0.54	2.52
SDR73-101K-LF	100 \pm 10%	0.48	0.51	1KHz
SDR73-121K-LF	120 \pm 10%	0.54	0.49	1KHz
SDR73-151K-LF	150 \pm 10%	0.75	0.40	1KHz
SDR73-181K-LF	180 \pm 10%	1.02	0.36	1KHz
SDR73-221K-LF	220 \pm 10%	1.20	0.31	1KHz
SDR73-271K-LF	270 \pm 10%	1.31	0.29	1KHz
SDR73-331K-LF	330 \pm 10%	1.50	0.28	1KHz

- DC current at which the inductance drops 10% (typ) from its value without current .
- Operating temperature range -40°C to +125°C.
- Electrical specifications at 25°C.
- Packing : 13" reel, machine-ready ,embossed plastic tape (1,000 parts per full reel).