



SDR54 SERIES – SMD POWER INDUCTORS



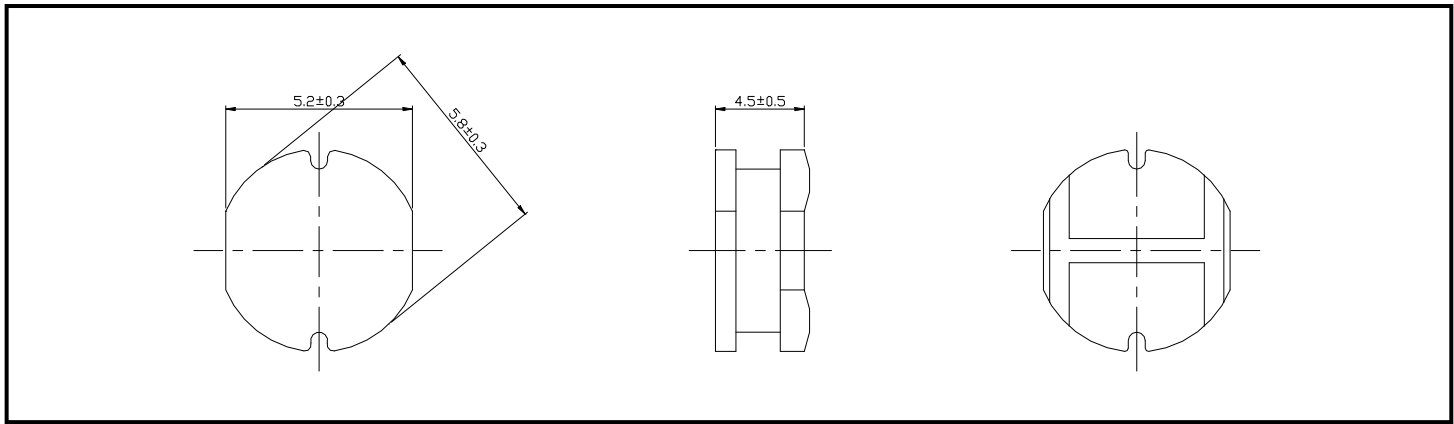
RoHS Compliant

PART NUMBERING SYSTEM

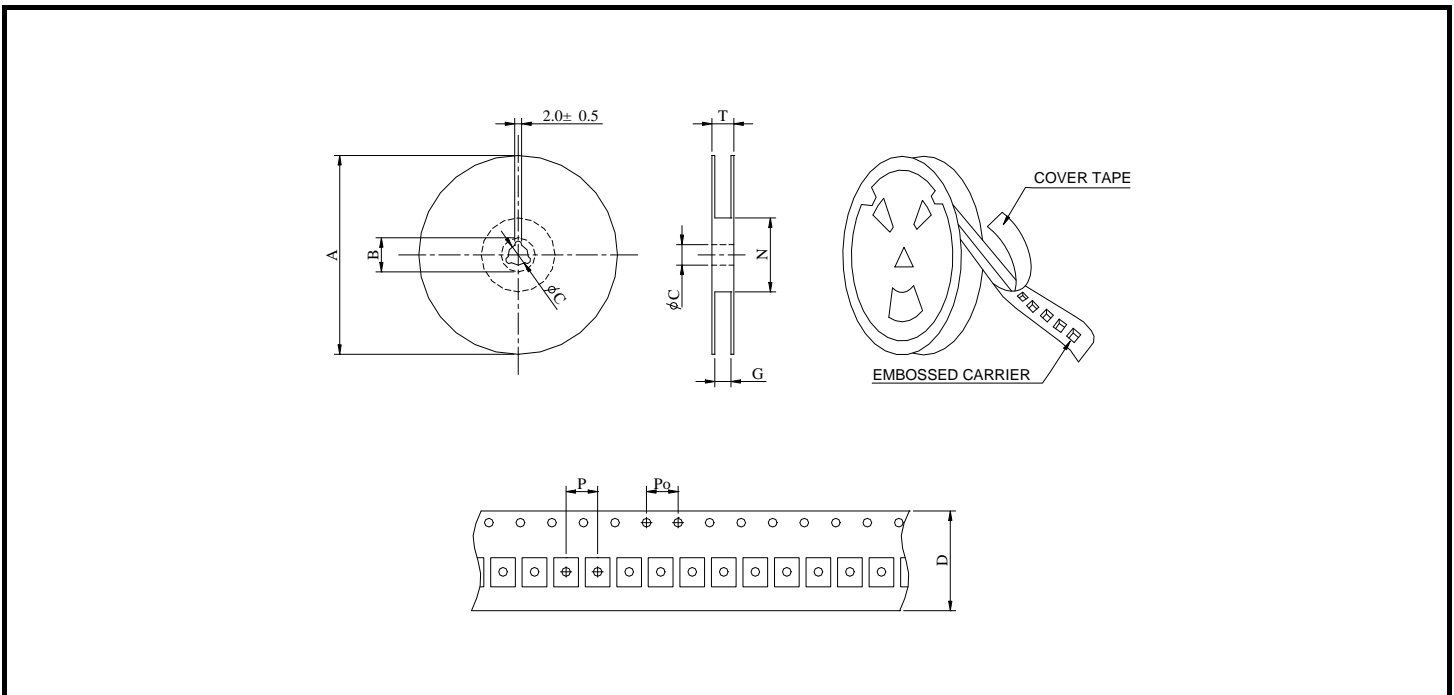
SDR	5 4	—	1 0 0 M	—	LF
TYPE	DIMENSIONS		INDUCTANCE		LEAD FREE

SHAPES AND DIMENSIONS

UNIT : mm



PACKAGING SPECIFICATION



SERIES	STAYLE	Q' TY (PCS)	DIMENSIONS (m/m)								
			A	B±0.8	C±0.5	D	G ⁺⁰	N ⁰	P	Po	T
SDR54	13-12	1500	330	21	13	12	14	50	8	4	18.4



Coilmaster Electronics Co., Ltd.

9F-3 No.398, Huan Bei Rd. Chung Li City, Taoyuan 320, Taiwan
Tel : +886-3-422-8279 Fax : +886-3-422-8734

E-mail : info@coilmaster.com.tw

Web Site : www.coilmaster.com.tw

SDR54 SERIES – SMD POWER INDUCTORS



RoHS Compliant

SPECIFICATION TABLE

PART NUMBER	INDUCTANCE (μ H)	DCR (Ω) (Max.)	IDC (A) (Max.)	TEST FREQ. (MHz)
SDR54-100M-LF	10 \pm 20%	0.10	1.44	2.52MHz
SDR54-120M-LF	12 \pm 20%	0.12	1.40	2.52MHz
SDR54-150M-LF	15 \pm 20%	0.14	1.30	2.52MHz
SDR54-180M-LF	18 \pm 20%	0.15	1.23	2.52MHz
SDR54-220M-LF	22 \pm 20%	0.18	1.11	2.52MHz
SDR54-270M-LF	27 \pm 20%	0.20	0.97	2.52MHz
SDR54-330L-LF	33 \pm 15%	0.23	0.88	2.52MHz
SDR54-390L-LF	39 \pm 15%	0.32	0.80	2.52MHz
SDR54-470L-LF	47 \pm 15%	0.37	0.72	2.52MHz
SDR54-560K-LF	56 \pm 10%	0.42	0.68	2.52MHz
SDR54-680K-LF	68 \pm 10%	0.46	0.61	2.52MHz
SDR54-820K-LF	82 \pm 10%	0.60	0.58	2.52MHz
SDR54-101K-LF	100 \pm 10%	0.70	0.52	1KHz
SDR54-121K-LF	120 \pm 10%	0.93	0.48	1KHz
SDR54-151K-LF	150 \pm 10%	1.10	0.40	1KHz
SDR54-181K-LF	180 \pm 10%	1.38	0.38	1KHz
SDR54-221K-LF	220 \pm 10%	1.57	0.35	1KHz

- DC current at which the inductance drops 10% (typ) from its value without current.
- Operating temperature range -40°C to +125°C ,
- Electrical specifications at 25°C .
- Packing : 13" reel, machine-ready ,embossed plastic tape (1,500 parts per full reel).