



SSB4018D SERIES

Low Profile Power Inductors



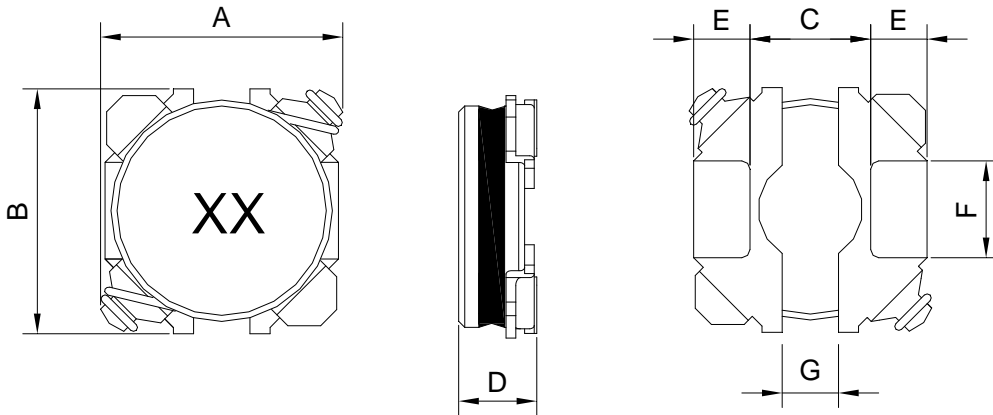
RoHS Compliant

PART NUMBERING SYSTEM

SSB	4018D	—	3 R 3 N	—	LF
TYPE	DIMENSIONS		INDUCTANCE		LEAD FREE

SHAPES AND DIMENSIONS

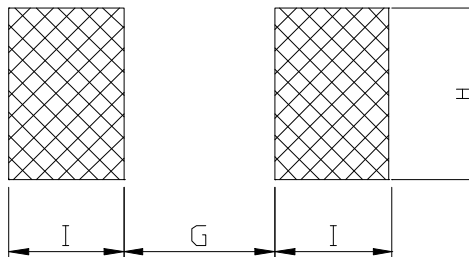
UNIT : mm



A=4.1 Max. B=4.1 Max. D=1.8 Max.

RECOMMENDED PATTERNS

UNIT : mm



G=1.0 H=4.3 I=1.6



SSB4018D SERIES

Low Profile Shielded Power Inductors



RoHS Compliant

ELECTRICAL CHARACTERISTICS :

PART NUMBER	INDUCTANCE (μ H)	DCR (Ω) Max.(Typ.)	Isat (A) (Max.)	Irms (A) (Max.)	Stamp
SSB4018D-1R0N-LF	1.0 \pm 30%	60.0m(50m)	4.70	1.85	3A
SSB4018D-1R5N-LF	1.5 \pm 30%	72.0m(60m)	3.70	1.70	3C
SSB4018D-1R8N-LF	1.8 \pm 30%	78.0m(65m)	3.40	1.65	3D
SSB4018D-2R2N-LF	2.2 \pm 30%	88.8m(74m)	3.20	1.60	3E
SSB4018D-3R3N-LF	3.3 \pm 30%	0.117(97m)	2.70	1.45	3G
SSB4018D-4R7M-LF	4.7 \pm 20%	0.144(0.12)	2.20	1.30	3I
SSB4018D-6R8N-LF	6.8 \pm 20%	0.204(0.17)	1.80	1.15	3K
SSB4018D-100M-LF	10 \pm 20%	0.288(0.24)	1.50	1.00	3M
SSB4018D-101M-LF	100 \pm 20%	2.604(2.17)	0.45	0.28	3Y

- Inductance tested at 100 kHz, 0.1 Vrms, 0 Adc using an Agilent/HP 4284B LCR meter or equivalent.
- Isat : DC current at which the inductance drops 30% (typ) from its value without current.
- Irms: The actual current when temperature of coil becomes Δ 40°C . (Ta=+25°C)
 Operating temperature range -40°C to +85°C , Electrical specifications at 25°C.