



# SSB4015D SERIES

## Low Profile Power Inductors



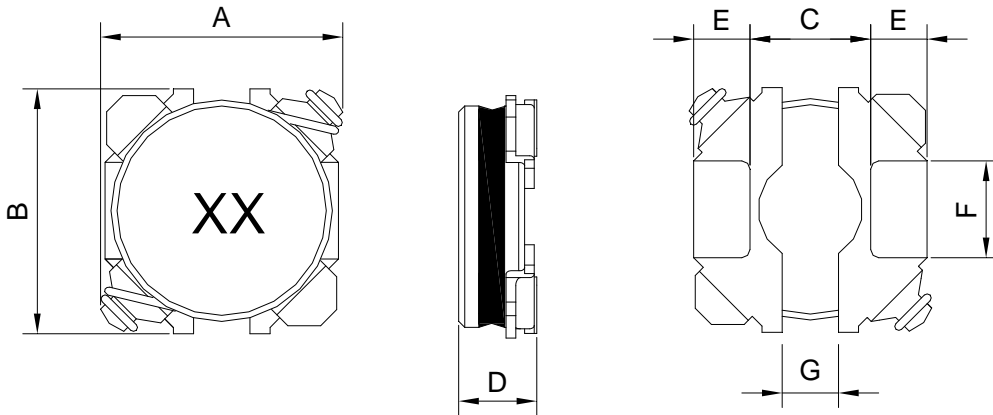
RoHS Compliant

### PART NUMBERING SYSTEM

<b>SSB</b>	<b>4015D</b>	—	<b>3 R 3 N</b>	—	<b>LF</b>
TYPE	DIMENSIONS		INDUCTANCE		LEAD FREE

### SHAPES AND DIMENSIONS

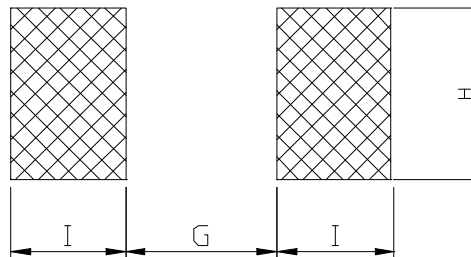
UNIT : mm



**A=4.1 Max. B=4.1 Max. D=1.5 Max.**

### RECOMMENDED PATTERNS

UNIT : mm



**G=1.0 H=4.3 I=1.6**



## SSB4015D SERIES

### Low Profile Shielded Power Inductors



RoHS Compliant

#### ELECTRICAL CHARACTERISTICS :

PART NUMBER	INDUCTANCE ( $\mu$ H)	DCR ( $\Omega$ ) Max.(Typ.)	Isat (A) ( Max. )	Irms (A) ( Max. )	Stamp
SSB4015D-1R0N-LF	1.0 $\pm$ 30%	57.6m(48m)	3.60	1.85	3A
SSB4015D-1R5N-LF	1.5 $\pm$ 30%	68.4m(57m)	2.90	1.70	3C
SSB4015D-2R2N-LF	2.2 $\pm$ 30%	79.2m(66m)	2.50	1.60	3E
SSB4015D-3R3N-LF	3.3 $\pm$ 30%	0.113(94m)	2.20	1.45	3G
SSB4015D-4R7M-LF	4.7 $\pm$ 20%	0.144(0.12)	1.90	1.30	3I
SSB4015D-100M-LF	10 $\pm$ 20%	0.276(0.23)	1.10	0.95	3M
SSB4015D-150M-LF	15 $\pm$ 20%	0.420(0.35)	0.90	0.75	3O
SSB4015D-220M-LF	22 $\pm$ 20%	0.588(0.49)	0.80	0.63	3Q

- Inductance tested at 100 kHz, 0.1 Vrms, 0 Adc using an Agilent/HP 4284B LCR meter or equivalent.
- Isat : DC current at which the inductance drops 30% (typ) from its value without current.
- Irms: The actual current when temperature of coil becomes  $\Delta$ 40°C . ( Ta=+25°C )  
Operating temperature range -40°C to +85°C , Electrical specifications at 25°C.