



SSB4012D SERIES

Low Profile Power Inductors



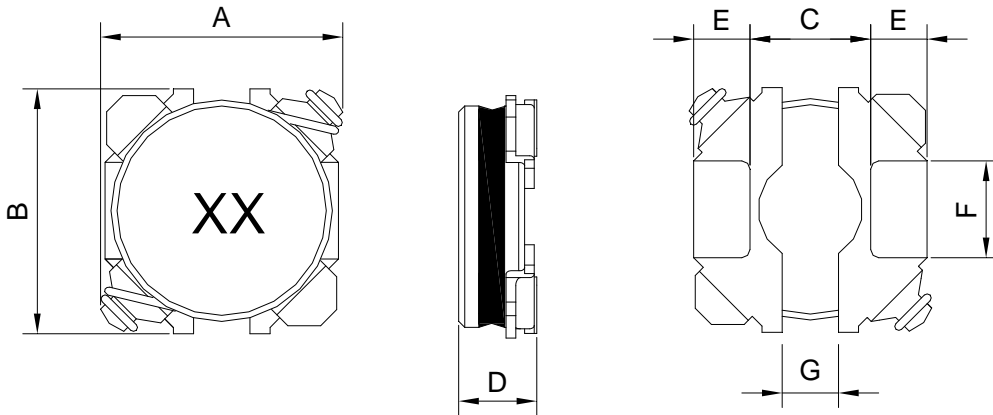
RoHS Compliant

PART NUMBERING SYSTEM

SSB	4012D	—	3 R 3 N	—	LF
TYPE	DIMENSIONS		INDUCTANCE		LEAD FREE

SHAPES AND DIMENSIONS

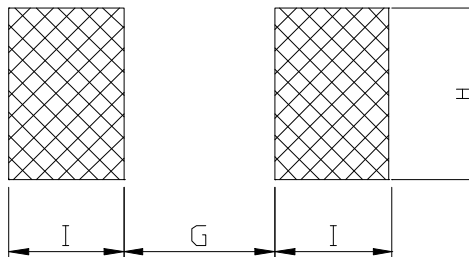
UNIT : mm



A=4.1 Max. B=4.1 Max. D=1.2 Max.

RECOMMENDED PATTERNS

UNIT : mm



G=1.0 H=4.3 I=1.6



SSB4012D SERIES

Low Profile Shielded Power Inductors



RoHS Compliant

ELECTRICAL CHARACTERISTICS :

PART NUMBER	INDUCTANCE (μ H)	DCR (Ω) Max.(Typ.)	Isat (A) (Max.)	Irms (A) (Max.)	Stamp
SSB4012D-1R0N-LF	1.0 \pm 30%	50.4m(42m)	2.30	1.90	3A
SSB4012D-1R5N-LF	1.5 \pm 30%	68.4m(57m)	1.90	1.70	3C
SSB4012D-2R2N-LF	2.2 \pm 30%	81.6m(68m)	1.50	1.55	3E
SSB4012D-3R3N-LF	3.3 \pm 30%	0.120(0.10)	1.30	1.40	3G
SSB4012D-4R7M-LF	4.7 \pm 20%	0.156(0.13)	1.10	1.25	3I
SSB4012D-6R8M-LF	6.8 \pm 20%	0.216(0.18)	0.95	1.05	3K
SSB4012D-100M-LF	10 \pm 20%	0.336(0.28)	0.75	0.80	3M
SSB4012D-150M-LF	15 \pm 20%	0.468(0.39)	0.65	0.70	3O
SSB4012D-220M-LF	22 \pm 20%	0.636(0.53)	0.55	0.60	3Q
SSB4012D-330M-LF	33 \pm 20%	1.020(0.85)	0.45	0.40	3S
SSB4012D-470M-LF	47 \pm 20%	1.368(1.14)	0.38	0.35	3U

- Inductance tested at 100 kHz, 0.1 Vrms, 0 Adc using an Agilent/HP 4284B LCR meter or equivalent.
- Isat : DC current at which the inductance drops 30% (typ) from its value without current.
- Iirms: The actual current when temperature of coil becomes Δ 40°C . (Ta=+25°C)
 Operating temperature range -40°C to +85°C , Electrical specifications at 25°C.