



SSB4010D SERIES

Low Profile Power Inductors



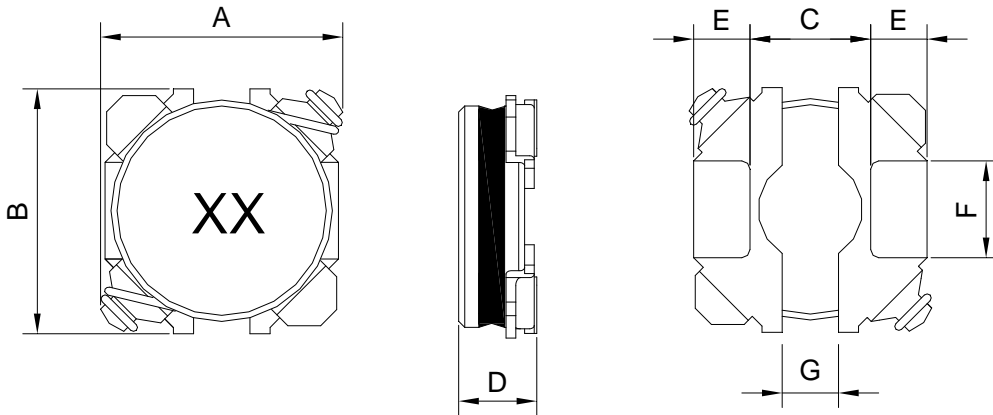
RoHS Compliant

PART NUMBERING SYSTEM

SSB	4010D	—	3 R 3 N	—	LF
TYPE	DIMENSIONS		INDUCTANCE		LEAD FREE

SHAPES AND DIMENSIONS

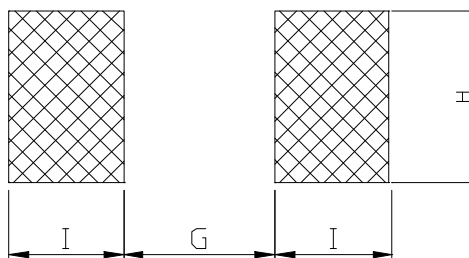
UNIT : mm



A=4.1 Max. B=4.1 Max. D=1.0 Max.

RECOMMENDED PATTERNS

UNIT : mm



G=1.0 H=4.3 I=1.6



SSB4010D SERIES

Low Profile Shielded Power Inductors



RoHS Compliant

ELECTRICAL CHARACTERISTICS :

PART NUMBER	INDUCTANCE (μ H)	DCR (Ω) Max.(Typ.)	Isat (A) (Max.)	Irms (A) (Max.)	Stamp
SSB4010D-1R0N-LF	1.0 \pm 30%	67.2m(56m)	1.40	1.70	3A
SSB4010D-1R5N-LF	1.5 \pm 30%	86.4m(72m)	1.20	1.60	3C
SSB4010D-2R2N-LF	2.2 \pm 30%	0.101(84m)	1.10	1.55	3E
SSB4010D-3R3N-LF	3.3 \pm 30%	0.132(0.11)	0.90	1.35	3G
SSB4010D-4R7M-LF	4.7 \pm 20%	0.192(0.16)	0.80	1.15	3I
SSB4010D-6R8M-LF	6.8 \pm 20%	0.276(0.23)	0.65	0.90	3K
SSB4010D-100M-LF	10 \pm 20%	0.372(0.31)	0.50	0.75	3M
SSB4010D-150M-LF	15 \pm 20%	0.492(0.41)	0.45	0.65	3O
SSB4010D-220M-LF	22 \pm 20%	0.792(0.66)	0.40	0.50	3Q
SSB4010D-330M-LF	33 \pm 20%	1.152(0.96)	0.30	0.38	3S
SSB4010D-470M-LF	47 \pm 20%	1.476(1.23)	0.25	0.33	3U

- Inductance tested at 100 kHz, 0.1 Vrms, 0 Adc using an Agilent/HP 4284B LCR meter or equivalent.
- Isat : DC current at which the inductance drops 30% (typ) from its value without current.
- Irms: The actual current when temperature of coil becomes Δ 40°C . (Ta=+25°C)
 Operating temperature range -40°C to +85°C , Electrical specifications at 25°C.